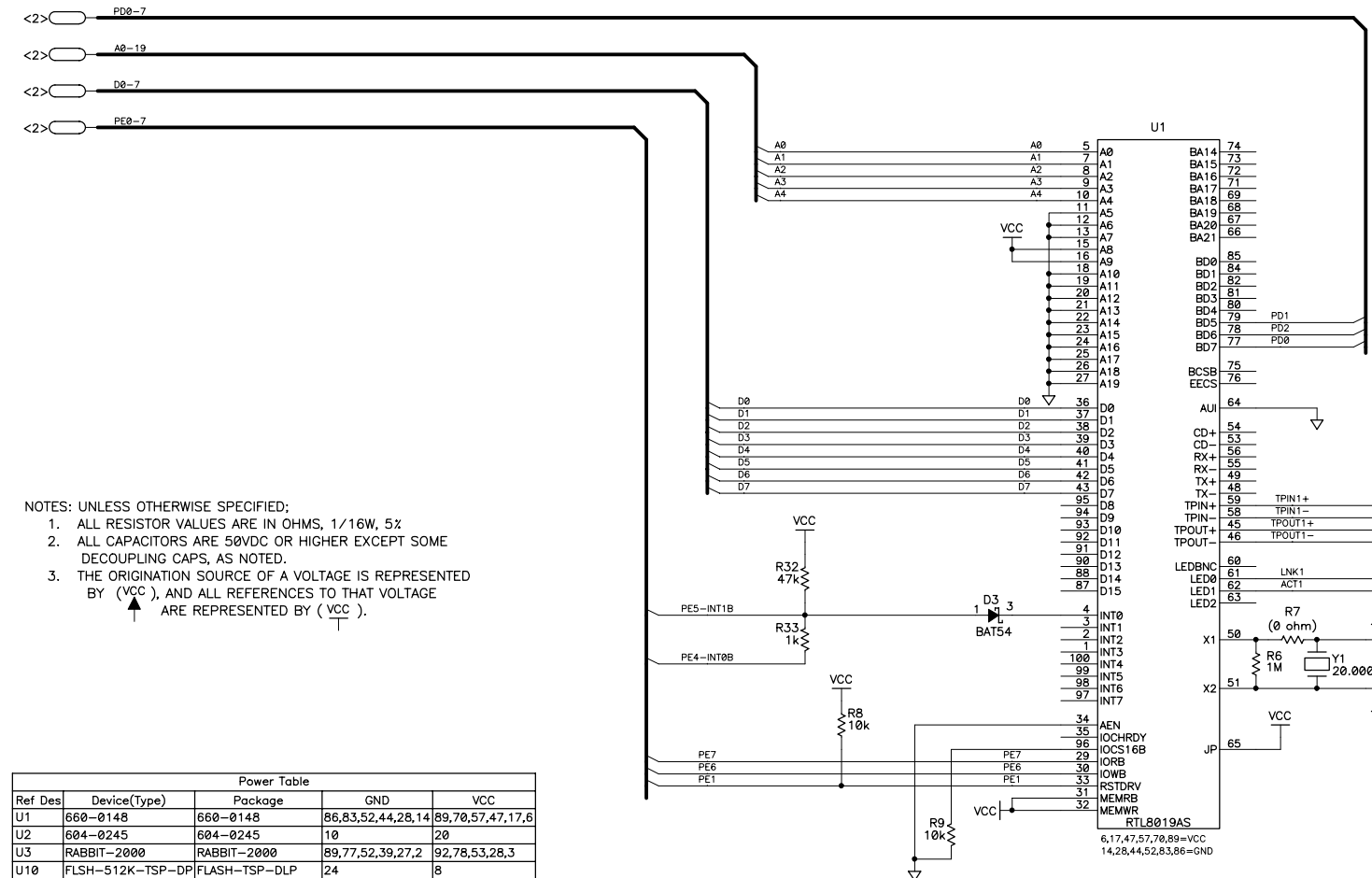
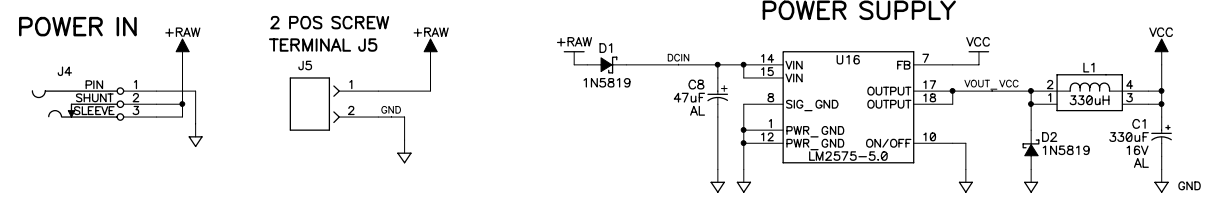


REVISION HISTORY			REVISION APPROVAL			
REV	ECO	DESCRIPTION OF CHANGE	PROJECT ENGINEER	APPROVAL DATE	DOCUMENT CONTROL	APPROVAL DATE
A	E12135	INITIAL RELEASE	XT	12/9/02	KIS	12/5/02
B	E12203	IMPROVE SIGNAL NAMES & OVERALL CLARITY	XT	1/27/03	KIS	1/27/03
C	E12270	IMPROVE ETHERNET JACK CIRCUIT, REMOVE CAPS, BETTER CONNECTOR.	XT	4/30/03	KIS	4/30/03

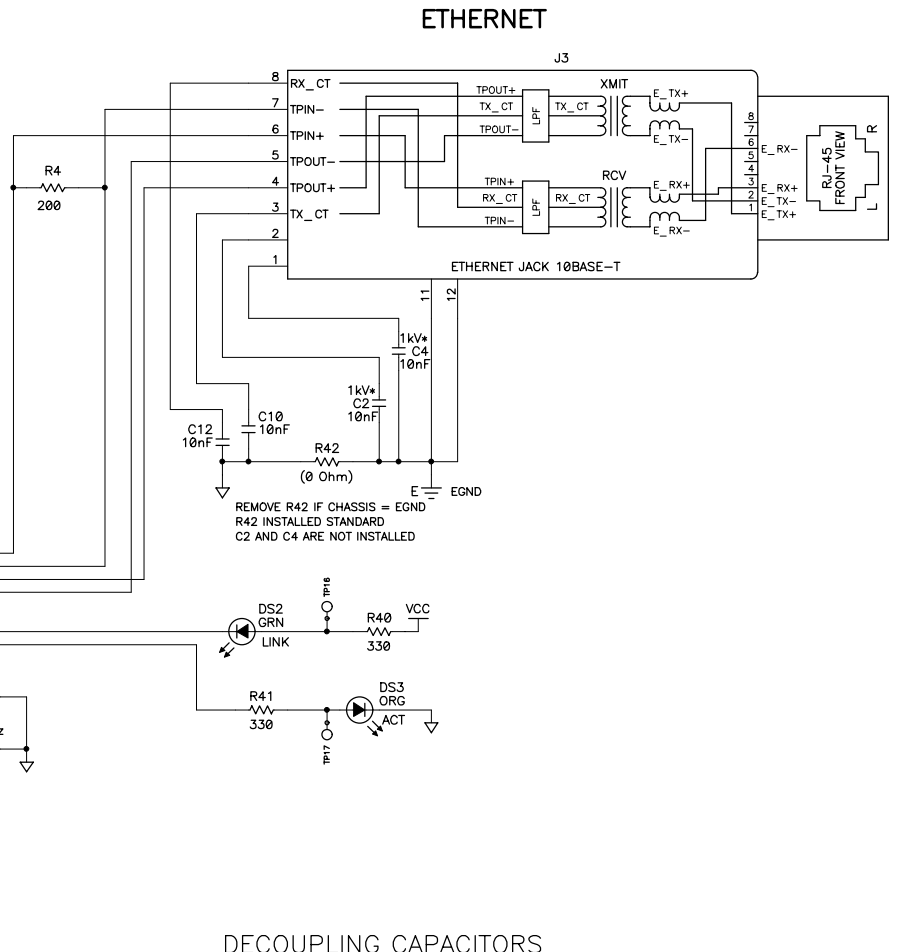


NOTES: UNLESS OTHERWISE SPECIFIED:  
 1. ALL RESISTOR VALUES ARE IN OHMS, 1/16W, 5%  
 2. ALL CAPACITORS ARE 50VDC OR HIGHER EXCEPT SOME DECOUPLING CAPS, AS NOTED.  
 3. THE ORIGINATION SOURCE OF A VOLTAGE IS REPRESENTED BY (VCC), AND ALL REFERENCES TO THAT VOLTAGE ARE REPRESENTED BY (VCC).

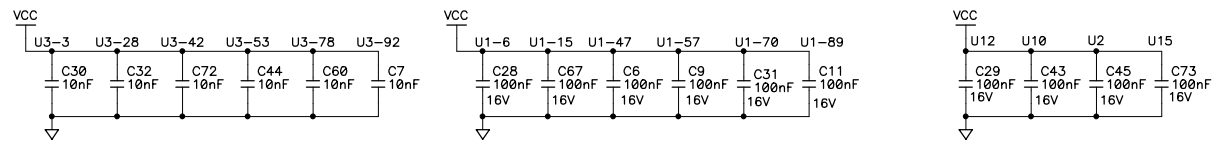
Power Table				
Ref Des	Device(Type)	Package	GND	VCC
U1	660-0148	660-0148	86,83,52,44,28,14	89,78,57,47,17,6
U2	604-0245	604-0245	10	20
U3	RABBIT-2000	RABBIT-2000	89,77,52,39,27,2	92,78,53,28,3
U10	FLSH-512K-TSP-DP	FLASH-TSP-DLP	24	8
U11	660-0089	660-0089	15	16
U12	FLSH-512K-TSP-DP	FLASH-TSP-DLP	24	8
U15	SRAM-512K-U-DLP	SRAM-512K-U-DLP	16	32

TABLE A

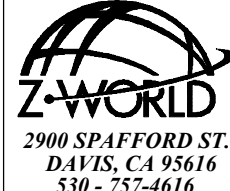
REF DES	DEVICE	DEVICE VOLTAGE INFORMATION			DEVICE: FILTER CAP REF DES(S)
		GND	VCC	NO CONNECTS	
U1	RTL8019AS	14,28,44 52,83,86	6,17,47 57,78,89		C6, 9, 11, 28, 31, 67
U2	74HCT245	10	20		C45
U3	RABBIT 2000	2,27,39 52,77,89	3,28,53, 78,92,42		C7, 30, 32, 44, 60, 72
U10	FLASH	24	8		C43
U12	FLASH	24	8		C29
U14	ETC811L				
U15	SRAM 512,128K	16	32		C73
U16	LM2575-5.0			2-6,9,11,13,16,19-24	

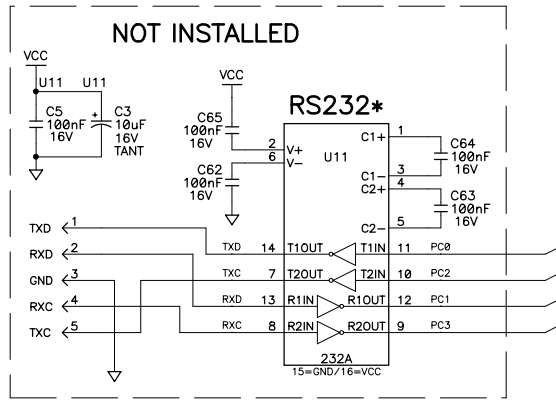
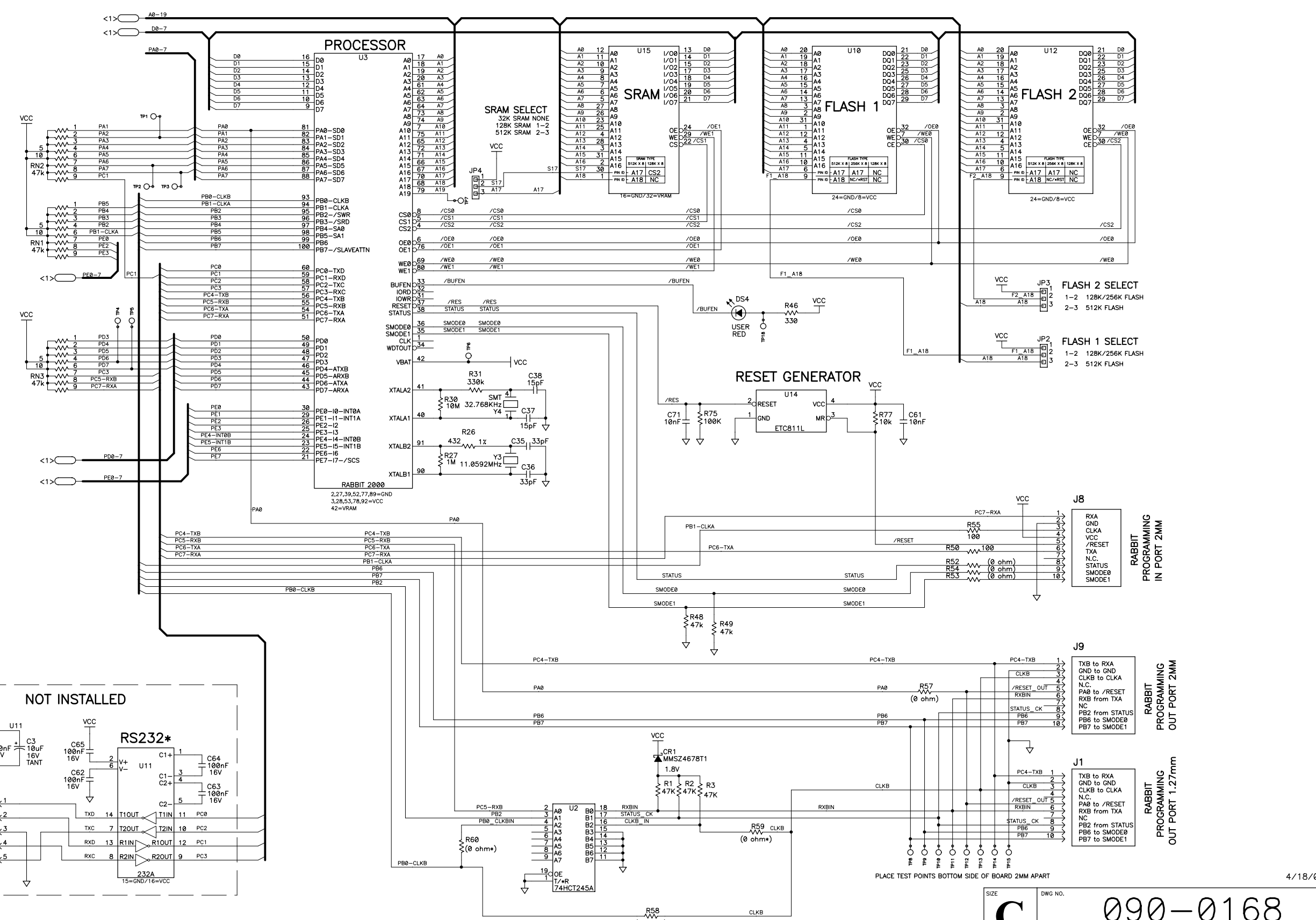


DECOUPLING CAPACITORS



COPYRIGHT 2003, Z-WORLD, INC.

APPEND THE FOLLOWING DOCUMENTS WHEN CHANGING THIS DOCUMENT:		DRAWING CONTENT:		TITLE	 2900 SPAFFORD ST. DAVIS, CA 95616 530 - 757-4616
		DRAWN BY: (INITIAL RELEASE)	XUAN TRUONG 10/15/02		
		REVISED BY:	K.SCHALLER 4/18/03		
		APPROVALS: INITIAL RELEASE		SIZE <b>C</b>	DWG NO. 090-0168
		PROJECT ENGINEER:	XUAN TRUONG 12/9/02		
		ENGINEERING MANAGER:	K.SCHALLER 12/5/02	SCALE	NONE
		SIGNATURES	DATE	RELEASE DATE	12/9/02
				SHEET	1 OF 2



R58 INSTALLED DEFAULT FOR CLOCK OUT.  
REMOVE R58, INSTALL R59 & R60 FOR CLOCK IN.

COPYRIGHT 2003, Z-WORLD, INC.

PLACE TEST POINTS BOTTOM SIDE OF BOARD 2MM APART

4/18/03

SIZE	DWG NO.
<b>C</b>	090-0168
SCALE	REV LTR
NONE	C
SHEET	2 OF 2