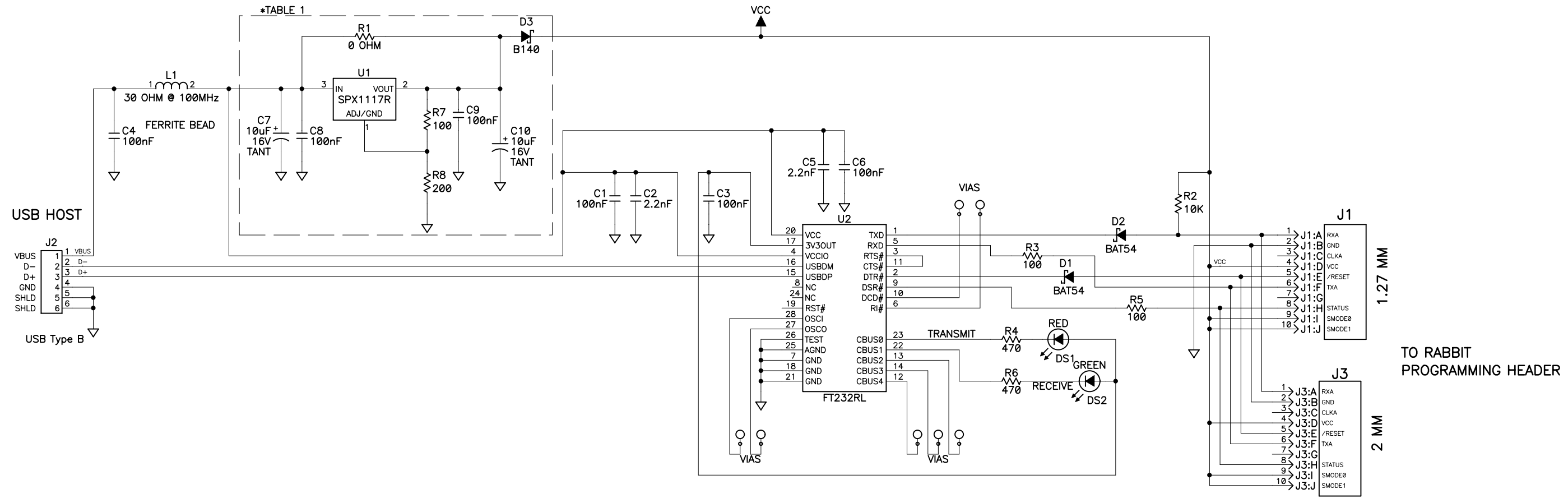


REVISION HISTORY			REVISION APPROVAL			
REV	ECO	DESCRIPTION	PROJECT ENGINEER	APPROVAL DATE	DOCUMENT CONTROL	APPROVAL DATE
A	E15039	INITIAL RELEASE	.	.	.	.



\*TABLE 1

UNINSTALL	INSTALL	DESCRIPTION
R7, R8, U1	R1, D3 C7, C8 C9, C10	-CORE POWERED BY 5V FROM USB -PROGRAMMING BOARD POWERED BY USB
R1	C7, C8 C9, C10 R7, R8 U1, D3	-CORE POWERED BY 3.3V FROM USB -PROGRAMMING BOARD POWERED BY USB
C7, C8 C9, C10 R1, R7 R8, U1 D3		-CORE SELF POWERED -PROGRAMMING BOARD POWERED BY USB

WARNING:  
CORE SHOULD NOT BE SELF POWERED IF THESE COMPONENTS ARE STUFFED

DEFAULT

APPEND THE FOLLOWING DOCUMENTS WHEN CHANGING THIS DOCUMENT:		DRAWING CONTENT:		TITLE	
		DRAWN BY: (INITIAL RELEASE) H. HAM	JAN. 8, 2007	USB TO RABBIT PROGRAMMING CABLE	
		REVISED BY:			
APPROVALS: INITIAL RELEASE				 <a href="http://www.rabbit.com">www.rabbit.com</a>	
		PROJECT ENGINEER:			
		ENGINEERING MANAGER:			
		SIGNATURES	DATE	SIZE <b>B</b>	DWG NO. 090-0252
				SCALE NONE	RELEASE DATE
				SHEET 1 OF 2	

COPYRIGHT 2007, Z-WORLD, INC.